

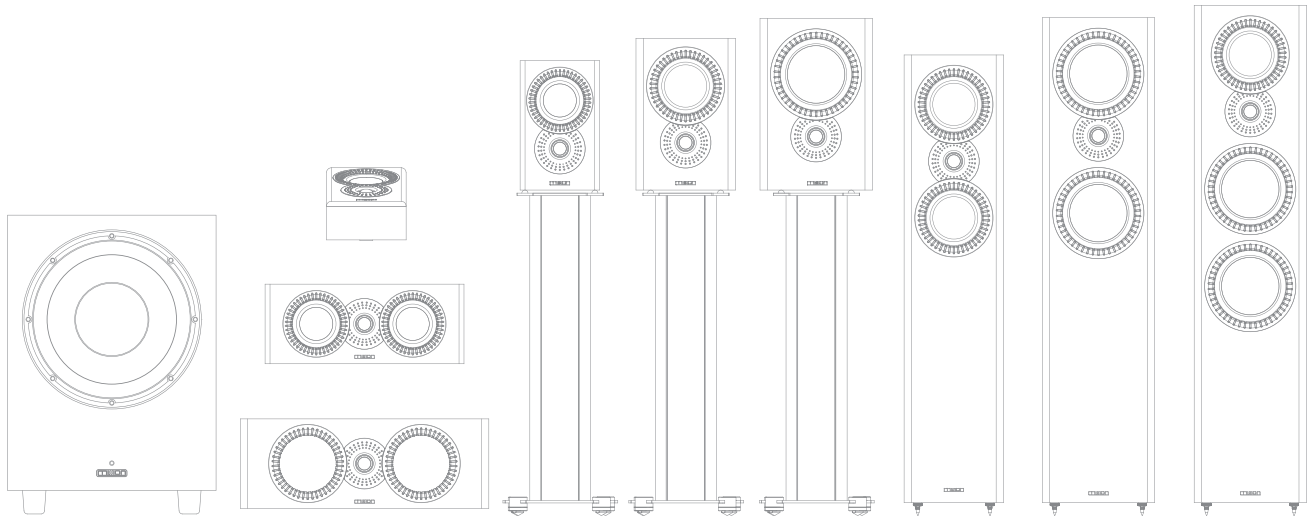
**3** YEAR WARRANTY



Scan the QR code using a smart-phone device, for product warranty registration online.

LX-1 MKII  
LX-2 MKII  
LX-3 MKII  
LX-4 MKII  
LX-5 MKII  
LX-6 MKII  
LX-C1 MKII  
LX-C2 MKII

LX-3D Surround MKII  
LX-10SUB MKII



User's Manual



# Important Safety Instructions

Before installing this product read all these instructions!



This symbol indicates that there are important operating and maintenance instructions in the literature accompanying this unit.

Read these instructions. Keep these instructions. Heed all warnings. Follow all instructions.

Before making any connections, switch all the units in your system off at the mains.

Set the volume control at minimum when you switch on your system or change sources, and turn the level up gradually.

DO NOT use your amplifier at full volume.

Ensure that all loudspeakers in the system are correctly wired.

DO NOT subject your loudspeakers to excessive cold, heat, humidity or sunlight.

Loudspeakers should not be placed directly facing other hi-fi units, or share the same shelf or cabinet.

DO NOT place heavy objects on top of loudspeakers.

Some manufacturers forbid the placing of objects on top of their TV sets. Check your TV handbook before installing

the speaker directly on your TV set. Consult your TV dealer if you are in any doubt.

DO NOT connect speaker terminals to the mains supply.

DO NOT dismantle the loudspeaker. There are no user serviceable parts inside it and you will void the warranty by doing so. Refer all servicing to qualified service personnel. Servicing is required when the apparatus has been damaged in any way, the apparatus has been exposed to rain or moisture, does not operate normally, or has been dropped.

Caution: Changes or modifications not expressly approved by the manufacturer could void the user's authority to operate this device.

## Unpacking Your Loudspeaker

LX MKII Series loudspeakers come in different shapes and sizes. If you are unpacking a floor stander, please remember that these units are heavy. We suggest that you have someone to assist you.

Lift the loudspeaker carefully out of the packing. DO NOT try and lift the loudspeaker using the protective bag. Unpack the accessories carefully.

If there is any sign of damage or if the contents are incomplete, report this to your dealer as soon as possible.

Retain the packing for future safe transport of the product. If you dispose of the packing, do so with respect to any recycling provisions in your area.



**WARNING:** When an amplifier is driven beyond its power output capabilities it will produce distorted waveforms which will quickly damage your speakers by overheating. Make sure that your amplifier is not left unattended when playing, for example at parties, and turn the volume control down at the first sign of audible distortion.

## Warranty Conditions

No dealer or distributor may vary the terms of this warranty which is personal to the original purchaser and is not transferable.

Please retain the sales receipt as proof of purchase.

Warranty claims must wherever possible be made through the Dealer from whom the equipment was purchased.

This warranty excludes:

Damage caused through neglect, accident, misuse, wear and tear, or through incorrect installation, adjustment or repair by unauthorised personnel. Any unauthorised servicing will result in loss of warranty.

Liability for damage or loss occurring in the transit to or from the purchaser.

Consequent damage, loss or injury, arising from or in conjunction with this equipment.

Equipment for attention under warranty should be considered return carriage paid. If equipment is found to comply with the published specification, Mission reserves the right to raise a charge.

The above conditions do not affect your statutory rights as a consumer.



# Introduction

Welcome to Mission!

Mission is a brand that purveys lifestyle audio that fuses Hi-Fi heritage with contemporary design. Music leads, technology follows.

The LX MKII Series is the latest in a long line of distinguished Mission loudspeakers. These technologically advanced loudspeakers will complement the finest electronics and décor. This series incorporates purpose - designed bass driver cones, precision engineered motor systems and advanced tweeters. All our loudspeaker drive units are manufactured in our factory using the latest precision tooling. High quality binding posts feature on all models. Your Mission LX MKII speakers will bring you great pleasure for many years.

## General Information



Please read these instructions carefully before installing your loudspeakers. A few minutes studying this manual will ensure a superb performance from your loudspeaker for many years. Please attention to all cautions printed on the pages marked with this symbol.

## Preparing Your Loudspeakers

The Mission LX-4 MKII, LX-5 MKII and LX-6 MKII floorstanding models require fitting with the included spikes before use. Use the screw provided to secure the plinths to the base of the speakers.

Make sure that the screws are fully tightened. After unpacking, the other loudspeakers need no further preparation.

Please remove the foam bungs from the bass port to the rear of the speaker. All LX MKII loudspeakers (except the LX-C1 MKII and C2 MKII) are reflex enclosures. The foam bungs are not generally required but they may be used to alter the bass parameters and damp resonances, especially when operating the loudspeakers next to walls etc.

Place a bung in each speaker port and adjust them in and out as needed, if they are required in your listening environment.

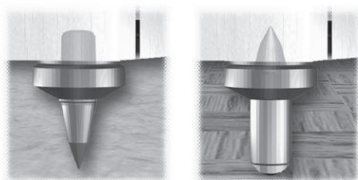
We advise retaining the bungs with your original packaging and manual.

## Fitting the spikes



**Warning:** Be careful. Loudspeaker spikes are very sharp. When positioning the speakers avoid piercing any electrical cables.

- Invert the loudspeaker and place the top on a soft surface.
- Screw a nut on each spike.
- Screw the spikes into the bushes fitted in the base of the cabinet. Use the sharp end on carpet, or the domed end on hard floors.
- Carefully return the loudspeaker to its normal position.
- Ensure that the spikes do not pierce cables etc. under the carpet.
- Adjust the height by screwing in or out one or more of the spikes until the loudspeaker is stable and level

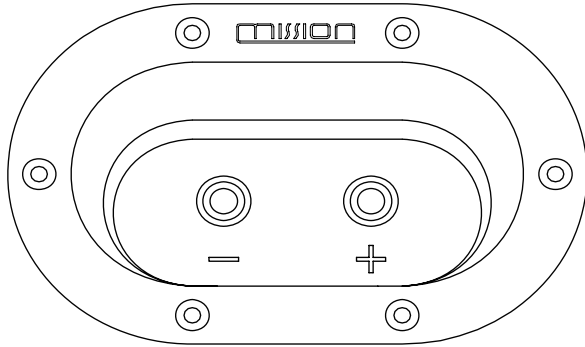


# Connecting Your Loudspeakers

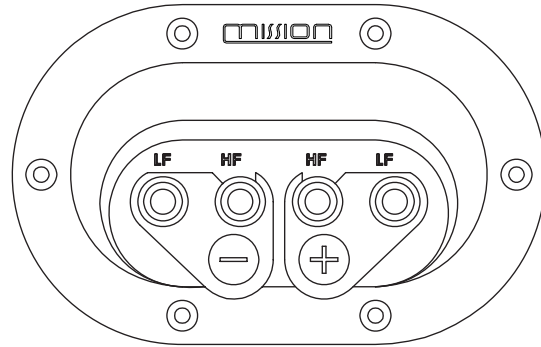
Loudspeaker cable is polarity coded along one edge. Split the cable to a depth of about 25mm and strip 8mm of insulation from each wire. If the cable is stranded, twist the strands to make sure that no stray strands contact the opposing terminal.



## Terminal Panels & Connecting The Loudspeakers



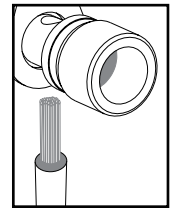
Single-wired (LX-1 MKII, LX-2 MKII and LX-3 MKII)



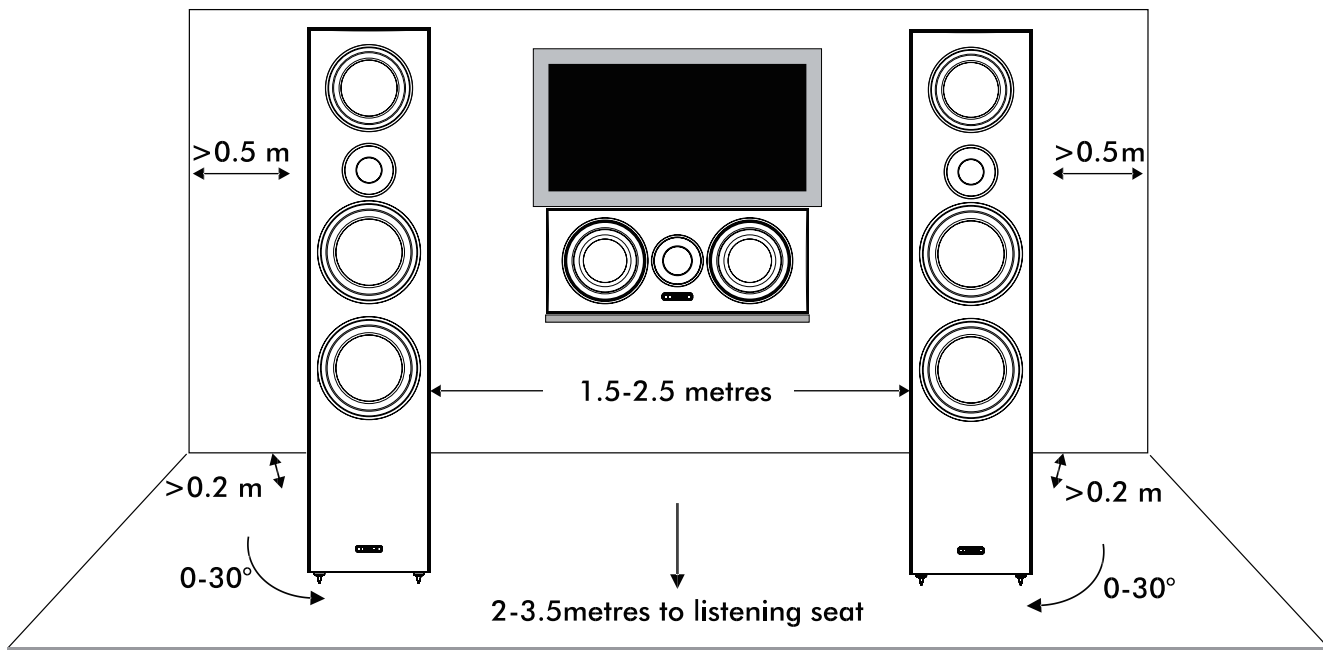
Bi-wired (LX-4 MKII, LX-5 MKII and LX-6 MKII)

Unscrew the terminal and thread the bare end of the cable through the cross hole ensuring there are no loose strands. Tighten securely.

Connect the red, positive (+) terminal of the left loudspeaker to the corresponding red, positive (+) amplifier terminal. Connect the black, negative (-) terminals similarly. Repeat for all channels accordingly.



## Positioning Your Loudspeakers



## Floor Standing and Bookshelf Loudspeakers

Mission LX-4 MKII, LX-5 MKII and LX-6 MKII floor standing loudspeakers should be placed on the floor (ideally on spikes). Mission LX-1 MKII, LX-2 MKII and LX-3 MKII bookshelf loudspeakers should be mounted on rigid stands, ideally spike coupled to the floor.

Height is important: A stand should place the top of a speaker at ear level to a seated listener. Shelf or bracket mounting is second best. The distance from the wall can profoundly affect loudspeakers' sonic performance. If your speakers are too close to the wall the bass will boom and sound will be coloured. Moving them into the room may increase clarity but tends to reduce the bass output. When positioned correctly, the high frequency response is smooth with well-defined, powerful bass. Start with the speakers about 300mm from the wall and 1.8m apart. The distance from each loudspeaker to the side wall should be at least 500mm. Vary the distance between the two loudspeakers and the distance from the wall until you get a perfect stereo stage. If your loudspeakers are wired correctly, the sound should be full with a clean treble and a deep, rich bass.

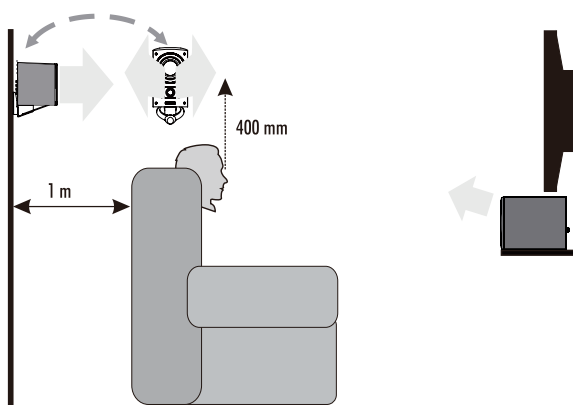
## Centre and Surround Speaker

Your centre loudspeakers (LX-C1 MKII and LX-C2 MKII) should be positioned on a shelf above the TV monitor or in a console or stand below the TV set. If you place the unit directly above the TV, ensure that the shelf or support can stand the weight and the assembly is stable. Ensure the loudspeaker is positioned centrally between the left and right speakers and is connected to the centre channel output of your amplifier. Check your amplifier handbook or consult your dealer if you are in any doubt.

If you are using a CRT TV (older style Cathode Ray Tube TV), do not position speakers within 450mm of a TV screen.

The surround speakers (LX-3D Surround MKII) should be placed above head height and either to the side or behind the listening seat. They may be stand or bracket mounted on the side walls or on the rear walls but always behind the listener.

LX-3D can also be used in vertical channel home cinema, such as Dolby Atmos and DTS: X systems for the height channels. In this case the LX-3D can be placed on top of the front speakers, with the drive units facing upwards.

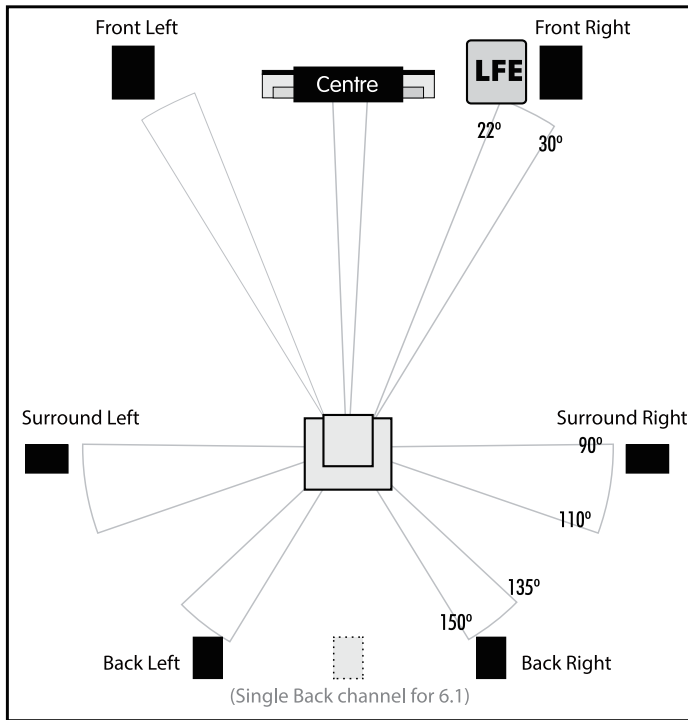


## Tuning and Phase

**Phase:** To check the loudspeaker phase, check the polarity of your speaker wire at the terminals of the loudspeakers and at the loudspeaker terminals of the amplifier. The conductor colour should always be connected the same way around. If your loudspeakers are connected correctly, you will hear a full sound with clean midrange and a deep, powerful bass.

**Fine Tuning:** All the loudspeakers, except the centre loudspeakers (LX-C1 MKII and LX-C2 MKII), are reflex enclosures. Although these will not normally be needed, foam port bungs are provided which may be used to alter the bass parameters and damp resonances, especially when operating the loudspeakers close to walls or corners. Place a bung in each speaker port and adjust them in and out as needed. (Note, the foam filling for the ports in Centre channel speakers should not be removed).

## Home Theatre Topics



### Loudspeaker Positioning

**Front Loudspeakers:** The front loudspeakers are placed on either side of the TV monitor, 2 to 3 metres apart. The speakers should be angled slightly so they are aimed towards the listeners.

### Rear Surround Channels

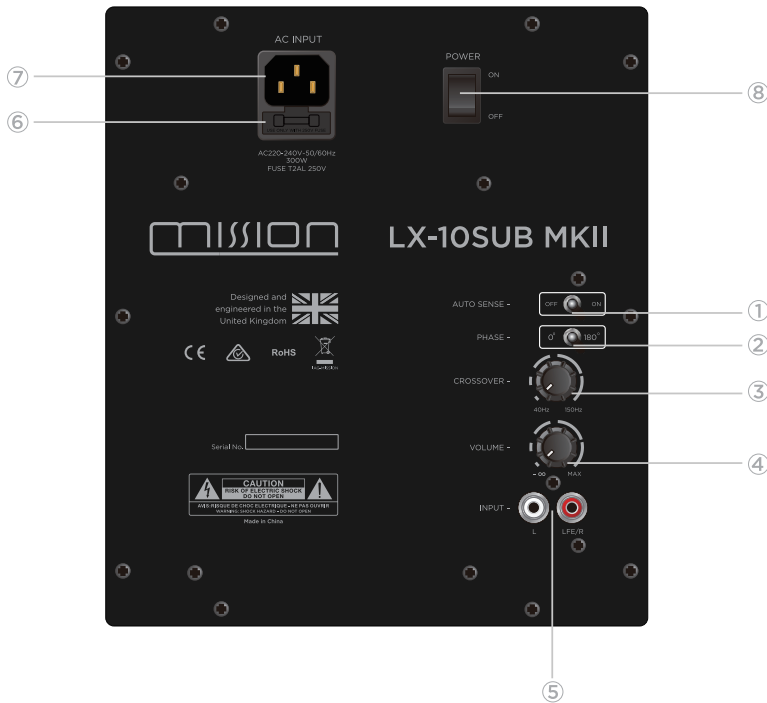
We recommend placing the surround speaker in a high position, behind the listeners head. If the rear wall is more than 1 metre behind the listening seat, an alternative position is on the side walls. If the walls are a long way from the listening seat, consider stand mounting the loudspeakers.

### Centre Channel

Most of the dialogue comes from the centre loudspeaker. Speech should appear to originate from the actors mouths. Operating height is important. Ideally the front and centre channel speakers should be at the same height. The front of the cabinet should be level with the TV screen.

# Connecting the Subwoofer to the System

## Control Panel of the LX-10SUB MKII Subwoofer

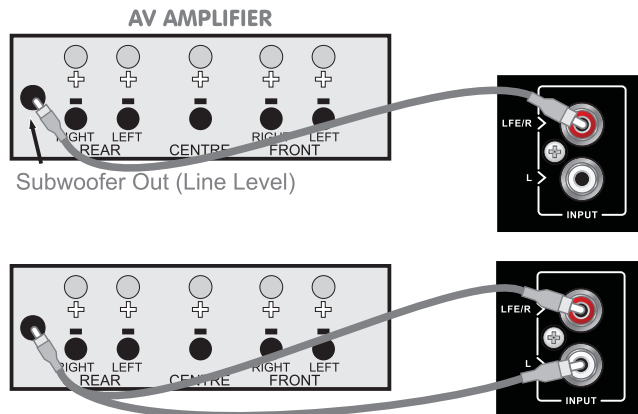


- 1 Auto Sense Switch
- 2 Phase Switch
- 3 Crossover Frequency Control
- 4 Volume Control
- 5 Line Level Input/LFE Input
- 6 Mains Power Fuse
- 7 IEC Mains Input Socket
- 8 Mains Power Switch

### A/V Processor Connections

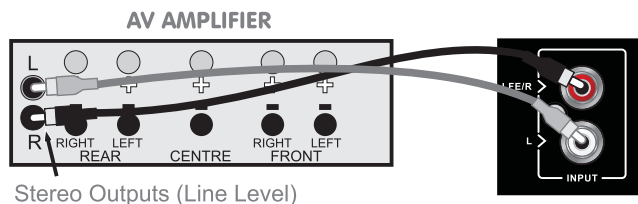
Your subwoofer has been designed for optimum performance with a digital processor. If your A/V processor has a line level or LFE subwoofer output you should use this connection. You will need to purchase a single screened RCA phono lead from your dealer. Connect this lead to the LFE input of the subwoofer as shown.

Alternatively, you may use a split mono lead from the processor to Line Inputs of the subwoofer. In this case the input level at the subwoofer will be slightly higher.



### Stereo Line Output Connections

If your amplifier has a spare preamplifier output or a stereo subwoofer output, connect the subwoofer as shown. You will need a stereo screened RCA phono cable.

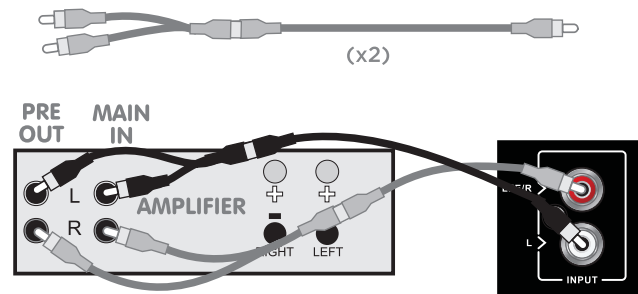


### Pre Out - Main in Connections

If you use a stereo pre and power amplifier, or an amplifier where the pre and main amplifier can be separated, connect the subwoofer as shown. There are two alternative methods.

You will need two screened RCA 'Y' adaptors and two single RCA phono cables.

Remove the Pre-Main links on your amplifier. Connect the socket (common) of an RCA 'Y' adaptor to the Left Channel Pre Out socket on the amplifier and the other leg to the Left Channel Main In socket. Connect the remaining plug on this combination to the Left Channel Line Level input on the subwoofer. Repeat this for the Right Channel.



## Operating Your Subwoofer

Check that all connections to the subwoofer have been properly made and that the main volume control is at minimum. Plug the supplied power cord into the mains socket on the rear panel.

### Initial Settings

**Volume Control:** Set the subwoofer volume control to the minimum before proceeding.

**Crossover Control:** Adjust frequency to integrate LX-10SUB MKII subwoofer with your system requirement.

**Phase Switch:** The Phase switch should be initially set to 0°.

### Switching On

Plug in the mains plug and switch the power on. Now switch the subwoofer on with the rest of your system.

When switched on, the power indicator light will glow and the subwoofer will be operational.

### Basic Tuning

**Volume Setting:** Play a programme with extended bass and set the system volume to a resonal level.

Adjust the subwoofer volume control to produce the desired level of bass. The bass should be even and an extension of the main loudspeakers. Do not set the control too high or you will swamp the sound with too much bass and clarity and definition will suffer.

## Operating Your Subwoofer

**Phase Switch:** If the bass is indistinct or lacks depth, the Phase switch may need adjustment. Set the switch to 0° and listen carefully to some music with extended bass. If there is insufficient bass output from the subwoofer set the Phase switch to 180°. Select the position which produces the most natural, extended bass.

**Crossover Adjustment:** This adjusts the blend between the subwoofer and the main speakers and enables the system to be set up for optimum bass performance. The higher settings are for use with small bookshelf loudspeakers, the lower setting for large floorstanding models. If you choose too low a setting with small speakers, there will be a 'hole' in the bass response; too high a setting with large speakers will result in the upper bass becoming bloated. Again the subwoofer should be an extension of the main loudspeakers.

**Auto-Sense Switch:** This feature reduces the power consumption when there is no music signal. When the Auto-Sense Switch is on, the amplifier will be activated immediately once an audio signal is detected at the inputs, and it will turn into the mute status when no signal is detected for about 20 minutes, which lowers the power consumption. This feature can be made invalid by setting this switch to off.

### Mains Operation

When the system is not in use for extended periods, we suggest you switch off the subwoofer to protect it from switching noises caused by domestic appliances, etc. The best practice is to switch the complete system on and off from a central point. Bear in mind that if you play the system with the subwoofer switched off you will get no bass!

Always turn the main volume control to minimum when you switch the system on or off.

## Warranty Coverage

Your loudspeakers have been constructed to the highest standards. From top grade furniture construction and finish to carefully designed and selected acoustic components, Mission speakers are built to provide a lifetime of sonic pleasure. We hope you will derive many years of good service from our products.

Mission warrants its products, subject to the following terms and conditions below, to be free from defects in materials and workmanship.

### Online Registration



Scan the QR code using a smart-phone device, for product warranty registration online.

The three (3) year extended warranty is applicable to items purchased from Jan 1st 2021, onwards. Items purchased prior to this date are not eligible for this extended warranty service but are subject to statutory warranty claims and all applicable consumer rights.

To qualify for the extended 3 year warranty, you must register your product within ninety (90) calendar days from the date of purchase. Visit [mission.co.uk/warranty-registration](https://mission.co.uk/warranty-registration) to complete your online registration. Items not registered online will have a Limited Warranty for one (1) year, or for the period of your country's statutory warranty, whichever is longer.

Warranty can only be offered to products registered with proof of purchase with date, model and details of the authorised dealer clearly stated on the receipt/invoice. Please keep the original receipt/invoice in case it is required for a warranty claim.

This Limited Warranty is non-transferable and is offered exclusively to the original owner.

This Limited Warranty is valid only in the original country of purchase.

Repairs or replacements are provided under this warranty are the exclusive remedy of the consumer. Mission shall not be liable for any incidental or consequential damages for breach of any expenses or implied warranty with any product. Except to the extent prohibited by law, this warranty is exclusive and in lieu of all other warranties whatsoever, both expressed and implied, including but not limited to the warrant of merchantability and fitness for practical purpose.

This warranty provides benefits that are additional to and do not affect your statutory consumer rights.

This Limited Warranty offer is subject to correct information being submitted in your application. Incorrect dates or mismatched purchase receipt dates that are outside of the warranty terms will immediately invalidate any warranty claim.

\*Please check with your dealer local distributor for further information.

## Exclusions

The following items are excluded from the Mission warranty:

**Normal wear and tear and cosmetic damage (including but not limited to any wear from reasonable use, environmental deterioration or neglect)**

**Products on which the serial number has been removed, altered or otherwise made illegible.**

**Products not purchased from an authorised Mission dealer.**

**Products that were not new at the time of original purchase.**

**Products sold 'as is', 'as seen' or 'with faults'**

**Product not purchased from an Authorised Dealer/Distributor within the region of the claim (ie parallel imports or grey market products)**

**Accidental damage or faults caused by commercial use, acts of God, incorrect installation, incorrect connection, incorrect packaging, misuse or careless operation or handling which is not in accordance with the user instructions.**

**Equipment that has been operated in conjunction with unsuitable, inappropriate or faulty apparatus.**

**Repairs, alterations or modifications carried out by parties other than Mission or its authorised service partners.**

**Damage in transit that cannot be attributable to the fault of Mission, the authorised distributor or dealer (ie. claims otherwise covered by transit insurance.)**

**Faults relating to abnormal or inappropriate power supply voltage or power surges.**

**Faults relating to extremities in temperature, exposure to heat, water or other liquids, insects, excessive moisture, sand, chemicals, battery leakage or any other contaminants.**

**Any force majeure events, including but not limited to any acts of God, fire, lightning, typhoon, storm, earthquake, hurricane, natural disaster, tsunami, flood, war, riot, public disturbance.**

**Any other causes beyond the reasonable control of either Mission and its Authorised Distributor.**

**Please note items purchased before 1st Jan 2021 are not eligible for the extended warranty claim.**

## How to Claim

To obtain warranty service please contact the authorised dealer from which you purchased this product and present the limited warranty certificate offered upon registration of your product's extended warranty offer.

Do not dispatch goods without the prior agreement of the dealer distributor or authorised service centre.

If asked to return products for inspection and or repair, please pack carefully preferably in the original carton or packaging affording an equal degree of protection and returned via insured, trackable courier service.

The authorised dealer or distributor will offer full return details and instructions. However, please note if unsuitable packaging is used the warranty may be deemed void due to improper action in return.

Mission or the authorised distributor, dealer or service centre may make a charge for the supply of new packaging for the return of the repaired item. Please note, insurance is recommended as goods are returned at the owner's risk. Authorised distributors or service centres cannot be held liable for loss or damage in transit. Insurance and freight charges on the return journey will be paid for by Mission, authorised dealer, distributor or service centre if corrective work proves to be necessary.

In the event of 'no-fault found' or 'no repair necessary,' the return shipping charge will be the responsibility of the owner.

## Repairs

All repairs will be carried out by the appointed distributor (or locally appointed service centre). Repairs handled or processed without authorisation or approval of the appointed representative will be excluded from this limited warranty. Please note, Mission is not able to supply parts or replacement items to any other entity than the official distributor or authorised service centre.

Other than the warranty and services set out in this warranty, to the fullest extent permitted by law, Mission shall not be liable to you and/or any third party or entity whatsoever for:

- Any loss, damages and/or malfunction caused to any product(s) which is/are connected to any of the products covered by this warranty.
- Any damages, loss and liability, whether direct, indirect, incidental, consequential special, punitive or otherwise, howsoever caused by, arising out of or otherwise, in relation to the installation, delivery, use, service, repair, replacement and/or maintenance of the product;
- Any damages, loss and liability under this warranty in respect of any act, omission, or negligence of any of their technicians, employees, agents, representatives or independent contractors relating to the actual or purported performance of any of the obligations under this warranty.

## Service Centre Address

Should a fault occur with your loudspeakers, please pack it correctly, using the original packing, so you can ship it safely. Product for service should be returned to the appointed dealer from whom you purchased the product. If you experience difficulties or there is no Mission dealer in your area, contact the Mission distributor or the office below.

IAG Service Dept.

13/14 Glebe Road

Huntingdon

Cambridgeshire

PE29 7DL

UK

Tel: +44(0)1480 452561

Email: [service@mission.co.uk](mailto:service@mission.co.uk)

For information on other authorised service centres worldwide contact Mission International, UK.

A world wide distributors list is available on the Mission website: [www.mission.co.uk](http://www.mission.co.uk)



Correct Disposal of this product. This marking indicates that this product should not be disposed of with other household wastes throughout the EU. To prevent possible harm to the environment or human health from uncontrolled waste disposal, recycle it responsibly to promote the sustainable reuse of material resources. To return your used device, please use the return and collection systems or contact the retailer where the product was purchased. They can take this product for environmentally safe recycling.

# Specifications

Model	LX-1 MKII	LX-2 MKII	LX-3 MKII
General Description	2-way Bookshelf Speaker	2-way Bookshelf Speaker	2-way Bookshelf Speaker
Enclosure Type	Bass Reflex	Bass Reflex	Bass Reflex
Transducer Complement	2-way	2-way	2-way
Bass Driver	4"(100mm) Composite Fibre	5"(130mm) Composite Fibre	6.5"(165mm) Composite Fibre
Treble Driver	25mm microfibre dome	25mm Microfibre Dome	25mm Microfibre Dome
AV Shield	No	No	No
Sensitivity (2.83V @ 1m)	86dB	87dB	88dB
Recommended Amplifier Power	20-80w	20-100W	20-120W
Peak SPL	99dB	103dB	105dB
Nominal Impedance	8Ω Compatible	8Ω Compatible	8Ω Compatible
Minimum Impedance	4.2Ω	3.8Ω	4.1Ω
Frequency Response (+/-3dB)	58Hz ~ 20kHz	55Hz ~ 20kHz	45Hz ~ 20kHz
Bass Extension (-6dB)	55Hz	50Hz	40Hz
Crossover Frequency	2.7kHz	3.2kHz	3.2kHz
Cabinet Volume (in litres)	5.5L	8.5L	13.2L
Dimensions			
Height (on plinth)	260mm	305mm	345mm
Width	160mm	200mm	226mm
Depth (with terminals)	(200+8)mm	(250+8)mm	(300+8)mm
Carton Size	440 x 290 x 345mm	535 x 350 x 400mm	590 x 400 x 450mm
Net Weight	4.13kg/pcs	6.34kg/pcs	8.42kg/pcs
Gross Weight	9.42kg/ctn	14.4kg/ctn	18.9kg/ctn
Finish	Walnut Pearl / Lux White / Lux Black	Walnut Pearl / Lux White / Lux Black	Walnut Pearl / Lux White / Lux Black

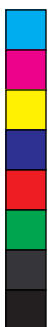
Model	LX-4 MKII	LX-5 MKII	LX-6 MKII
General Description	2-way Floorstanding Speaker	2-way Floorstanding Speaker	3-way Floorstanding Speaker
Enclosure Type	Bass Reflex	Bass Reflex	Bass Reflex
Bass Driver	5"(130mm) Composite fibre x2	6.5"(165mm) Composite fibre x2	6.5"(165mm) Composite Fibre x2
Midrange Driver			5"(130mm) Composite Fibre
Treble Driver	25mm Microfibre Dome	25mm Microfibre Dome	25mm Microfibre Dome
AV Shield	No	No	No
Sensitivity (2.83V @ 1m)	89dB	90dB	91dB
Recommended Amplifier Power	30-120W	30-150W	30-200W
Peak SPL	105dB	106dB	107dB
Nominal Impedance	8Ω Compatible	8Ω Compatible	8Ω Compatible
Minimum Impedance	4.3Ω	4.2Ω	3.0Ω
Frequency Response (+/-3dB)	45Hz ~ 20kHz	42Hz ~ 20kHz	35Hz ~ 20kHz
Bass Extension (-6dB)	40Hz	38Hz	30Hz
Crossover Frequency	3.0kHz	2.3kHz	400Hz, 3.3kHz
Cabinet Volume (in litres)	29L	42L	3.2L/72.5L
Dimensions			
Height (on plinth&spike)	(900+20)mm	(975+20)mm	(1000+20)mm
Width	200mm	226mm	226mm
Depth (with terminals)	(265+8)mm	(300+8)mm	(325+8)mm
Carton Size	385 x 315 x1015mm	420 x 340 x 1090mm	445 x 340 x 1115mm
Net Weight	15.5kg/pcs	19.1kg/pcs	21.9kg/pcs
Gross Weight	18.5kg/ctn	22.4kg/ctn	24.7kg/ctn
Finish	Walnut Pearl / Lux White / Lux Black	Walnut Pearl / Lux White / Lux Black	Walnut Pearl / Lux White / Lux Black

# Specifications

Model	LX-C1 MKII	LX-C2 MKII	LX-3D Surround MKII
General Description	2-way Centre Speaker	2-way Centre Speaker	2-way Centre Speaker
Enclosure Type	Closed-box System	Closed-box System	Closed-box System
Transducer Complement	2-way	2-way	2-way
Bass Driver	4"(100mm) Composite Fibre x2	5"(130mm) Composite Fibre x2	4"(100mm) Composite Fibre
Treble Driver	25mm Microfibre Dome	25mm Microfibre Dome	25mm Microfibre Dome
AV Shield	No	No	No
Sensitivity (2.83V @ 1m)	88dB	89dB	86dB
Recommended Amplifier Power	20-100W	20-120W	20-80W
Peak SPL	103dB	105dB	99dB
Nominal Impedance	8Ω Compatible	8Ω Compatible	8Ω Compatible
Minimum Impedance	4.3Ω	4.3Ω	4.5Ω
Frequency Response (+/-3dB)	75Hz - 20kHz	65Hz - 20kHz	105Hz - 20kHz
Bass Extension (-6dB)	70Hz	60Hz	90Hz
Crossover Frequency	3.5kHz	3.2kHz	2.8kHz
Cabinet Volume (in litres)	7.6L	12.5L	2.2L
Dimensions			
Height (on plinth)	160mm	180mm	(150+8)mm
Width	400mm	500mm	160mm
Depth (with terminals)	(200+8)mm	(230+8)mm	260mm
Carton Size	495 x 300 x 255mm	595 x 330 x 275mm	365 x 345 x 245mm
Net Weight	6.32kg/pcs	8.63kg/pcs	3.28kg/pcs
Gross Weight	7.5kg/ctn	10.2kg/ctn	7.8kg/ctn
Finish	Walnut Pearl / Lux White / Lux Black	Walnut Pearl / Lux White / Lux Black	Walnut Pearl / Lux White / Lux Black

Model	LX-10SUB MKII
Description / Format	Active Dynamic-Drive IB Subwoofer System
Drive Units	1 x (10") 250mm Cone Long-throw
Frequency Response	40- 200Hz ±3dB
Amplifier Power Output	200W
Peak Power Output	350W
Line Input Sensitivity	200mv For Maximum Output
Crossover Range	30 - 150Hz
Inputs	Stereo Line In (2 x RCA Phono) Mono (LFE) Line In (RCA Phono)
Input Impedance	Line Input 10kΩ LFE 5kΩ
Signal-to-noise Ratio (S/N)	≥85dB
Avg. Max Output @1m	110dB
Features	Phase inversion, Auto on-off
Dimensions	Height: (412+35)mm (with feet) Width: 312mm Depth: (392+15)mm
Net Weight	16kg
Gross Weight	18.5kg / carton
Finishes	Cabinet: Walnut Pearl / Lux White / Lux Black





IAG House, 13/14 Glebe Road, Huntingdon, Cambridgeshire, PE29 7DL, UK  
Tel: +44(0)1480 452561 Email: [service@mission.co.uk](mailto:service@mission.co.uk) [www.mission.co.uk](http://www.mission.co.uk)  
IAG reserves the right to alter the design and specifications without notice. All rights reserved © IAG Group Ltd.  
Mission is a member of the International Audio Group.

